

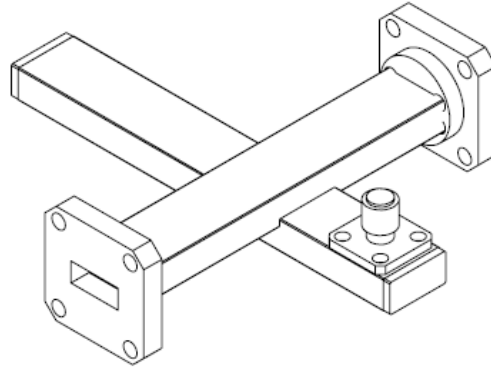


RF Components

Model Number:
WGC-XX-197056

Ku-Band Cross Guide Coupler

10.00-15.00 GHz



Specification				
WG Size	WG17 / WR75 / R120			
Coupling	20±1.5 dB	30±1.0 dB	40±1.0 dB	50±1.0 dB
Frequency Range	10 - 15 GHz			
Finish	Brass Flanges Copper WG White Paint			
Flange Options	UG MIL 53C-007 (US) / UG MIL 53C-007 (UF) UG MIL 59D-010 (UG) / CBR 120 (CB) UBR 120 (UB) / PBR 120 (PB) PDR 120 (PD) / UDR 120 (UD)			
RF Connector Options	50 Ω SMA Male (S4) /Female (S5) 50 Ω N-type Male (N4) /Female (N5)			
Main Line VSWR / Return Loss (max)	1.3:1 / 17.4	1.2:1 / 20.4	1.05:1 / 32.3	1.05:1 / 32.3
Directivity (typ)	20 dB	20 dB	20 dB	20 dB
Dimensions	A-125mm B-75mm C-11mm			

Model Numbers						
Example: WGC-20-197056-UBPB N5						
WG	C	20	197056	UB	PB	N5
Waveguide	C-Cross Guide D-Dual Arm B-Broad wall	Coupling Factor	Model Number	Flange 1	Flange 2	RF connector

Broadcast



Marine Oil & Gas



SNG & VSAT



Satellite Teleport

